

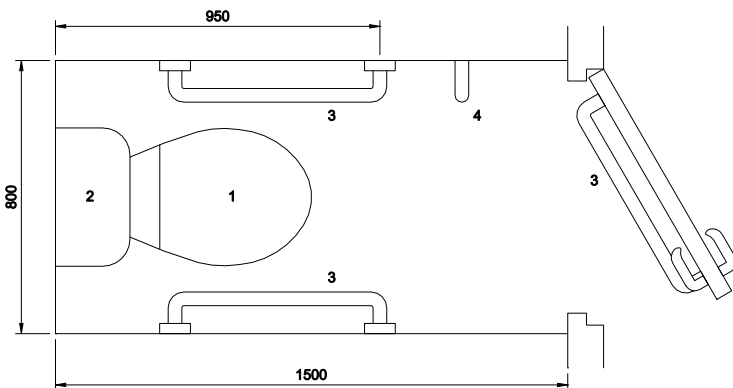
Where the cubicle has an inward opening door. It should be fitted with a double action pivot set and an emergency release mechanism operated from the outside. Inward opening cubicle doors should be used only in existing buildings where there is no alternative.

Note: The overall dimensions shown exclude such items as heat emitters and boxing in of pipe work and adjustments in room size will be needed to accommodate these items.

(A) ELEVATION

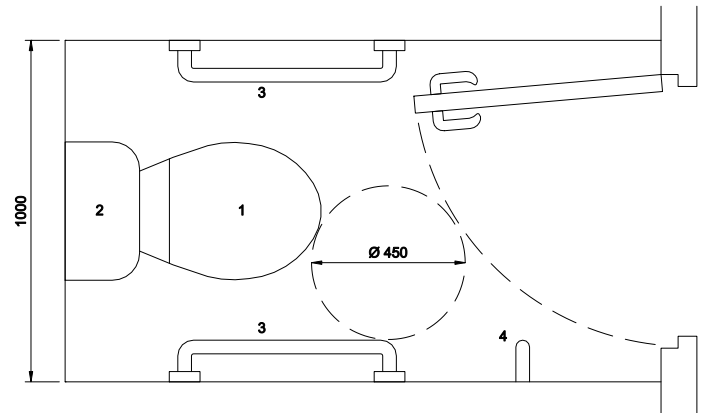
The minimum clear overall dimensions of a W.C. cubicle accessible by ambulant disabled people, as well as the location of sanitary and other fittings, should be as shown in this set of drawings.

The minimum clear overall dimensions of a W.C. cubicle accessible by ambulant disabled people, as well as the location of sanitary and other fittings, should be as shown in this set of drawings.



(B) PLAN (NEW BUILDING)

Outward opening door with horizontal pull rail



(C) PLAN (EXISTING BUILDING)

Inward opening door with effective clear width of at least 800mm. Door to swing clear of 450mm diameter space on plan between fittings.

AMBULANT		CODE : P6830059
1	Pentland Close Coupled Raised Height Pan	USEFUL ACCESSORIES Toilet Tissue dispenser S2944001 White Plastic Shelf P6820411
1	Blue Seat and Cover (Advanced)	
2	Pentland Reversible Cistern with Screw Down Lid	
2	6 litre Fitting Pack with Spatulate Lever - Dual Flush	
3	Blue Fluted 600 x 35mm Grab Rails x 4	
4	Blue Clothes Hook	

Drawn by FTC Title DOCUMENT M SOLUTIONS AMBULANT MPACK CLOSE COUPLED	Revisions	 N&C Phlexicare E-Mail: info@nichollsandclarke.com Website: www.ncphlexicare.com Tele: 020 8586 4800
Date FEB 2016	Projection	