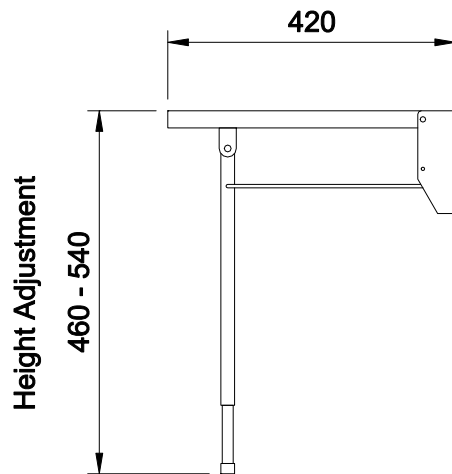
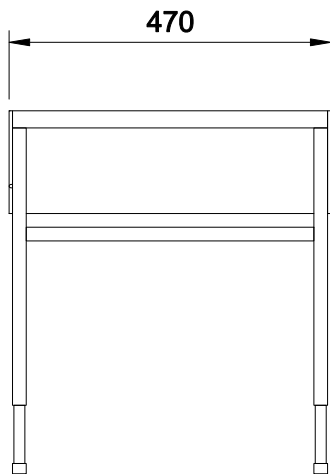



**MAXIMUM WEIGHT**

**190kg (30st)**



PRODUCT	COLOUR	CODE NUMBER
Classic Folding Shower Seat with Legs	White	P6828702

Drawn by <b>FTC</b>	Revisions	 <b>N&amp;C Phlexicare</b> E-Mail: <a href="mailto:info@nichollsandclarke.com">info@nichollsandclarke.com</a> Website: <a href="http://www.ncphlexicare.com">www.ncphlexicare.com</a> Tele: 020 8586 4600
Title <b>SHOWER SEATS          CLASSIC FOLDING SHOWER SEAT          WITH LEGS</b>		
Date <b>FEB 2016</b>	Projection 