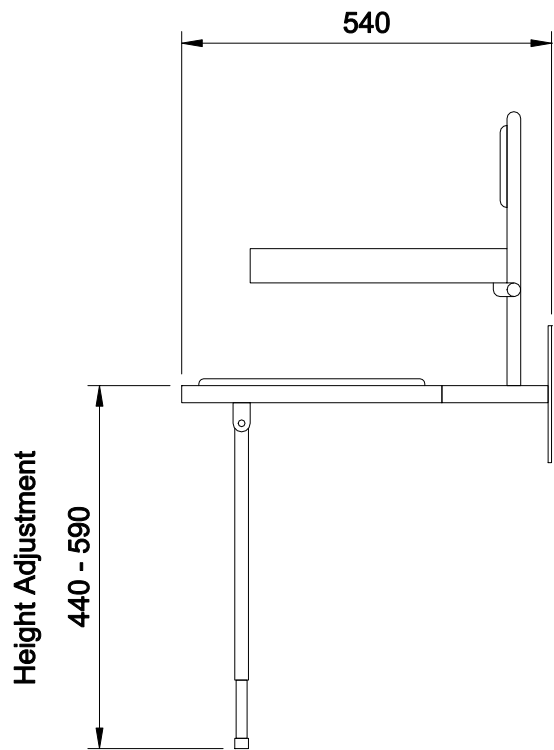
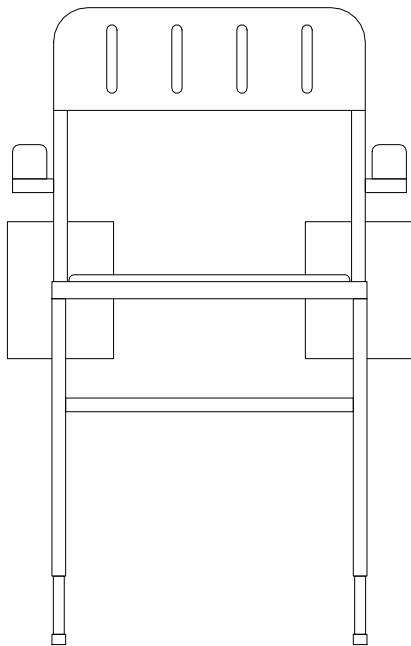



**MAXIMUM WEIGHT**

**190kg (30st)**



PRODUCT	COLOUR	CODE NUMBER
Classic Shower Seat with Backrest, Arms & Legs	White	P6828707

Drawn by <b>FTC</b>	Revisions	 <p><b>N&amp;C Phlexicare</b>  E-Mail: <a href="mailto:info@nichollsandclarke.com">info@nichollsandclarke.com</a>  Website: <a href="http://www.ncphlexicare.com">www.ncphlexicare.com</a>  Tele: 020 8586 4600</p>
Title <b>SHOWER SEATS CLASSIC FOLDING SHOWER SEAT WITH BACKREST, ARMS AND LEGS</b>		
Date <b>FEB 2016</b>	Projection 