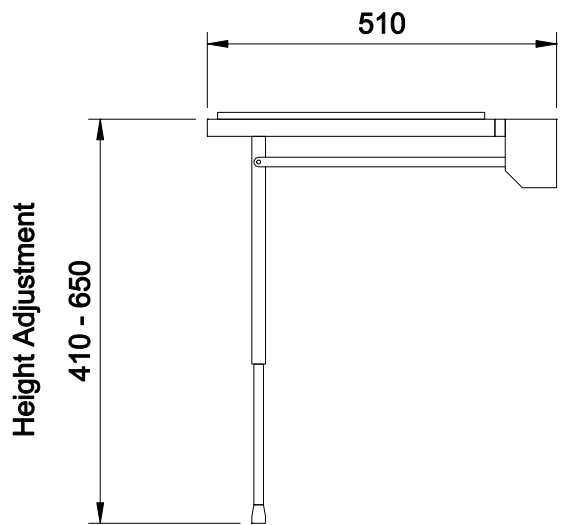
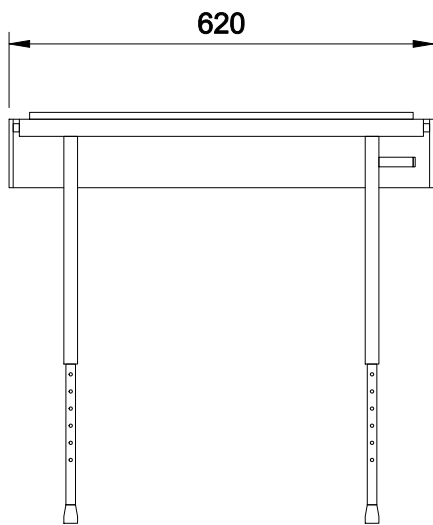



**MAXIMUM WEIGHT**

**300kg (47st)**



PRODUCT	COLOUR	CODE NUMBER
Evolve Shower Seat with Legs	Blue	P6828731

Drawn by <b>FTC</b>	Revisions	 <p><b>N&amp;C Phlexicare</b>          E-Mail: <a href="mailto:info@nichollsandclarke.com">info@nichollsandclarke.com</a>          Website: <a href="http://www.ncphlexicare.com">www.ncphlexicare.com</a>          Tele: 020 8586 4600</p>
Title <b>SHOWER SEATS          EVOLVE SHOWER SEAT          WITH LEGS</b>		
Date <b>FEB 2016</b>	Projection 