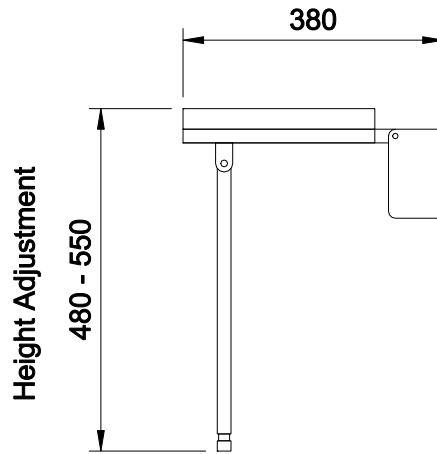
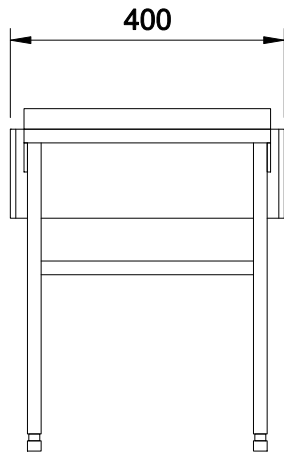



MAXIMUM WEIGHT

159kg (25st)



PRODUCT	COLOUR	CODE NUMBER
Compact Padded Shower Seat with Legs	White	P6828719

Drawn by FTC	Revisions	 <p>N&C Phlexicare E-Mail: info@nichollsandclarke.com Website: www.ncphlexicare.com Tele: 020 8586 4600</p>
Title SHOWER SEATS COMPACT PADDED SHOWER SEAT WITH LEGS		
Date FEB 2016	Projection 