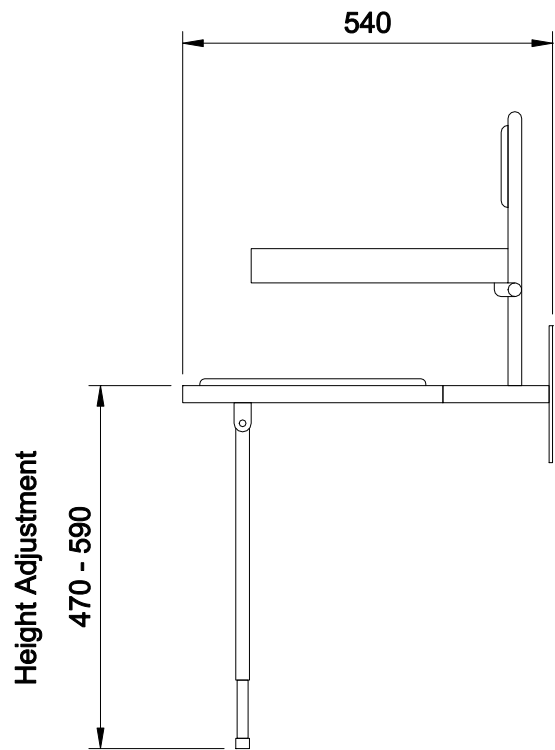
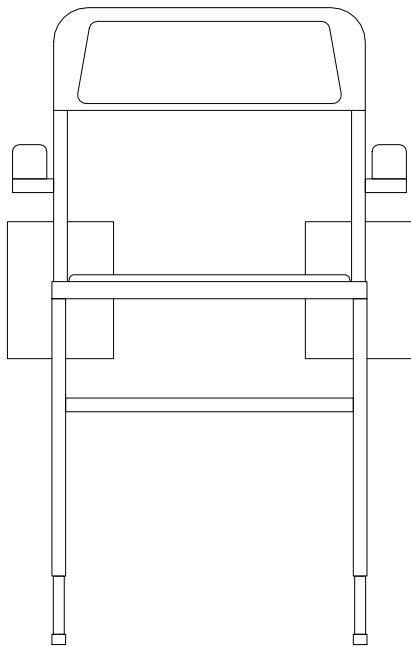



MAXIMUM WEIGHT

190kg (30st)



PRODUCT	COLOUR	CODE NUMBER
Comfort Folding Shower Seat with Backrest, Arms & Legs	Grey	P6828692

Drawn by FTC	Revisions	 <p> N&C Phlexicare E-Mail: info@nichollsandclarke.com Website: www.ncphlexicare.com Tele: 020 8586 4600 </p>
Title SHOWER SEATS COMFORT PADDED FOLDING SHOWER SEAT WITH BACKREST, ARMS AND LEGS		
Date FEB 2016	Projection 