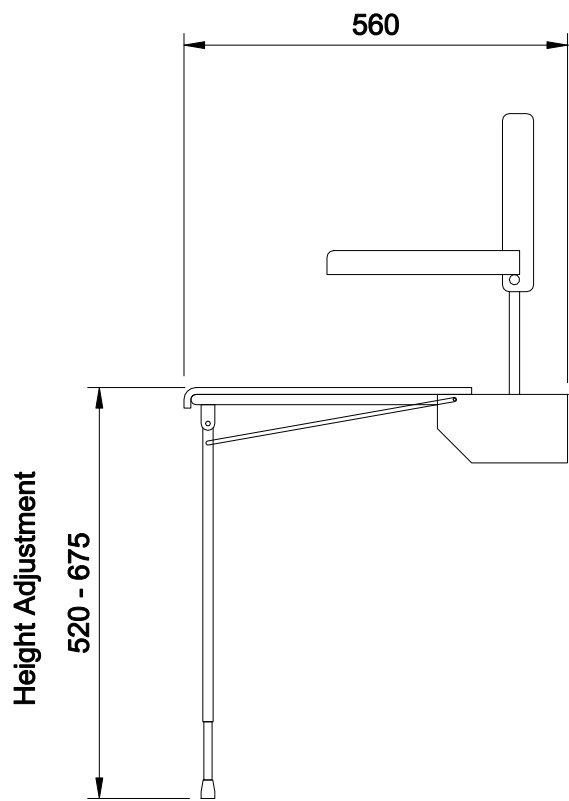
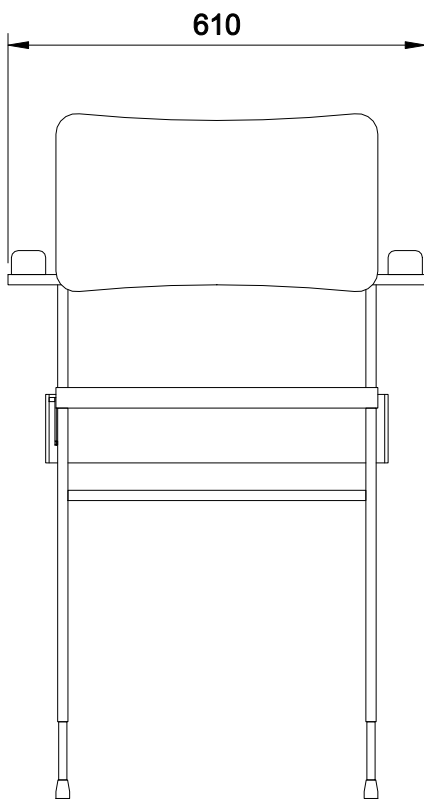


**MAXIMUM WEIGHT**  
**190kg (30st)**



**PRODUCT**


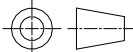
Comfort Padded Horseshoe Shower Seat with Backrest, Arms and Legs

**COLOUR**

Blue

**CODE NUMBER**

P6828694

|   |  |  |
|---|--|--|
| Drawn by <b>FTC</b>   | Revisions  |  <p><b>N&amp;C Phlexicare</b><br/>         E-Mail: <a href="mailto:info@nichollsandclarke.com">info@nichollsandclarke.com</a><br/>         Website: <a href="http://www.ncphlexicare.com">www.ncphlexicare.com</a><br/>         Tele: 020 8586 4600</p> |
| Title<br><b>SHOWER SEATS<br/>         COMFORT PADDED HORSESHOE<br/>         SHOWER SEAT WITH BACKREST,<br/>         ARMS AND LEGS</b> |  |  |
| Date <b>FEB 2016</b>  | Projection  |  |