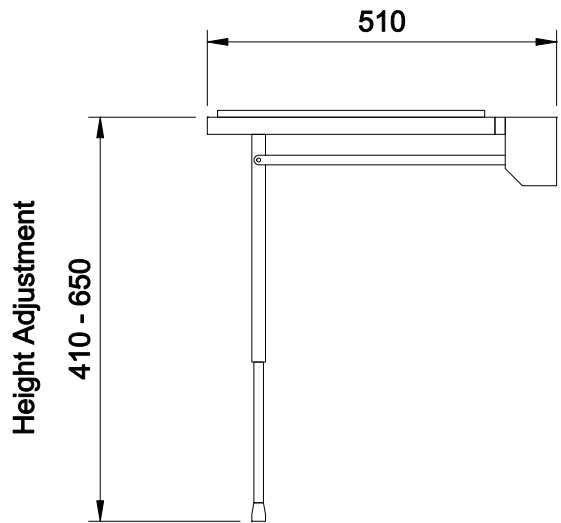
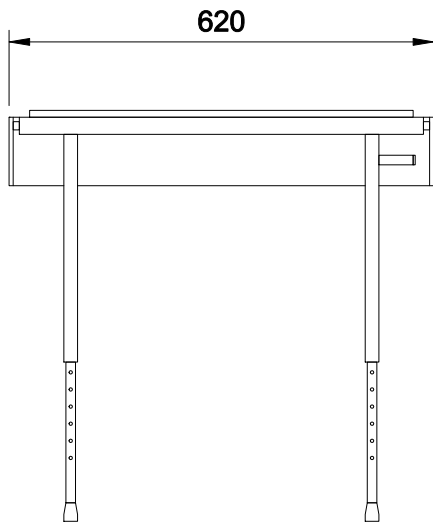



MAXIMUM WEIGHT

300kg (47st)



PRODUCT	COLOUR	CODE NUMBER
Evolve Shower Seat with Legs	Grey	P6828732

Drawn by FTC	Revisions	 <p>N&C Phlexicare E-Mail: info@nichollsandclarke.com Website: www.ncphlexicare.com Tele: 020 8586 4600</p>
Title SHOWER SEATS EVOLVE SHOWER SEAT WITH LEGS		
Date FEB 2016	Projection 