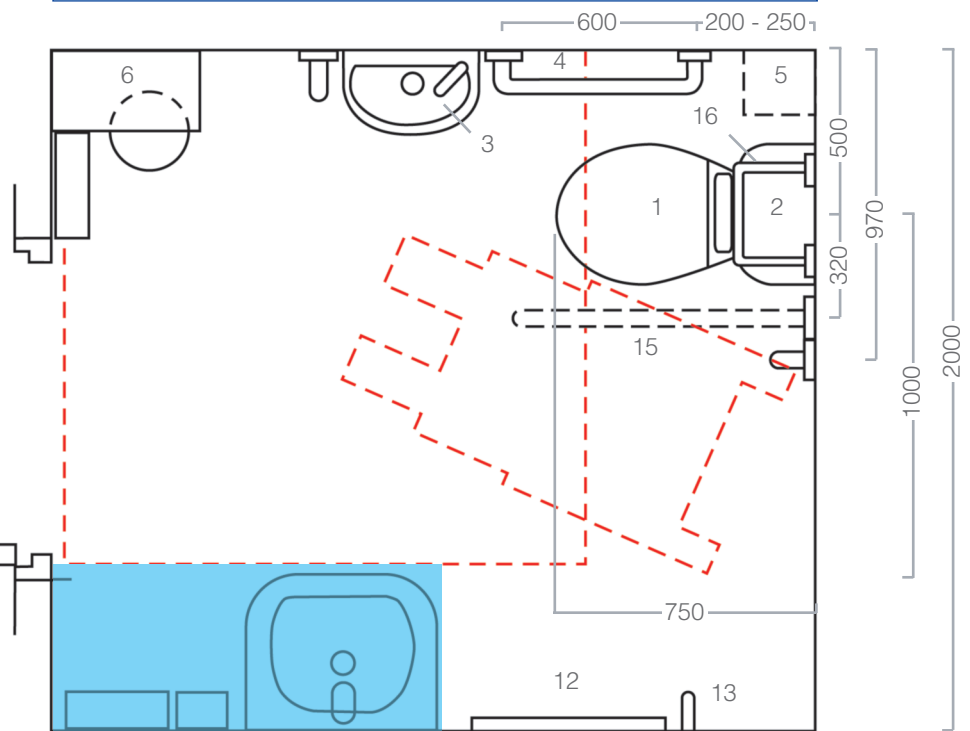
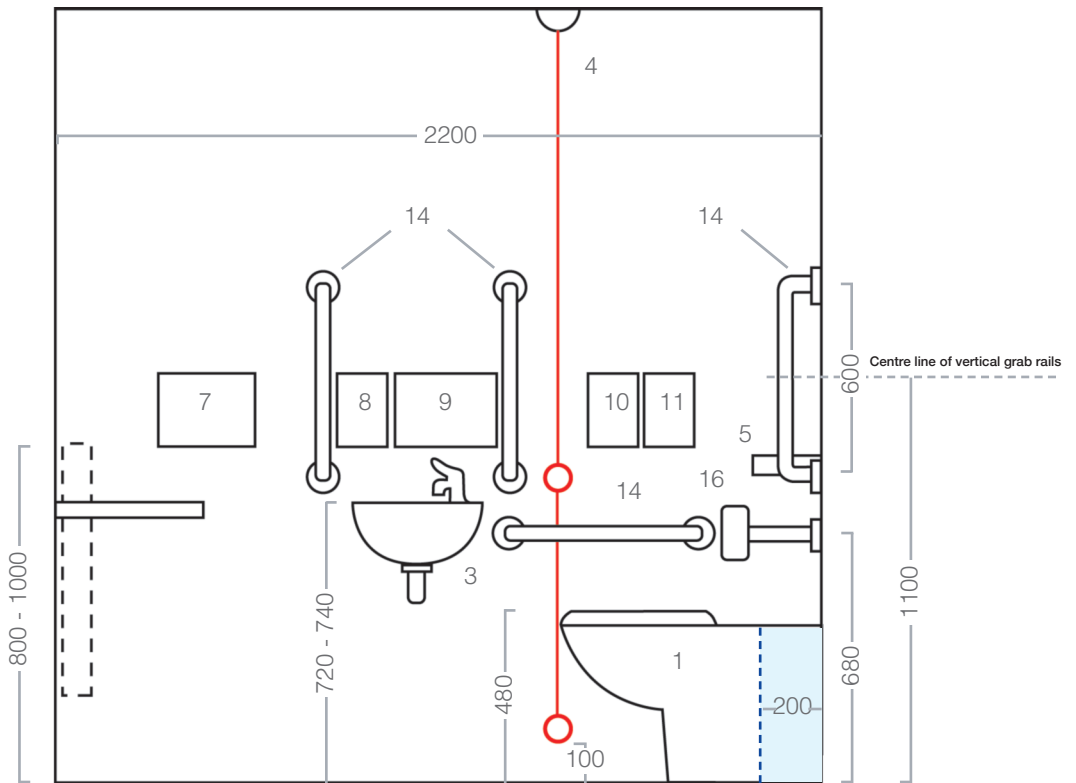




Additional requirements for Inclusive MPack

- S7004021 520 x 425mm TH2 Basin
- S2365001 Waste Plug & Chain
- S7004036 Hanger & Waste Bracket
- S7004033 Basin Fixing Bolts
- P6349101 Simplicity Lever Taps
- S2372001 32mm Bottle Trap
- S7007364 Thermostatic Mixer Valve
- P6834301 Paper Towel Dispenser
- P6834201 Soap Dispenser



Classic Blue Low Level

P6830056

1	Pentland Low Level Raised Height Pan
1	Blue Seat only (Advanced)
2	Pentland Cistern with Screw Down Lid
2	6 litre Cistern Fitting Pack Dual Flush
2	Chrome Plated Spatulate Flush Lever
2	White 760 x 305mm Flush Bend
3	Pentland Hand Basin 395 x 340mm
3	White Plastic Taphole Stopper
3	Concealed Basin Hanger Brackets-Pair
3	Waste Support Bracket
3	Chrome Thermostatic Mono Basin Mixer - Lever Operation
3	Chrome 32mm Grated Waste
3	Chrome 32mm Plastic Bottle Trap

4	Phlexicall Audio Visual Alarm, 2 Pull Rings
5	White Plastic Colostomy Bag Shelf, Small
6	White Plastic Colostomy Bag Shelf, Large
7	Automatic Hand Dryer
8	Soap Dispenser
9	Paper Towel Dispenser
10	Toilet Tissue Dispenser
11	Alarm Reset Button
12	Stainless Steel Mirror 1000 x 400mm
13	Blue Clothes Hooks x 2
14	Blue Fluted 600 x 35mm Grab Rails x 5
15	Blue Rehab 850mm Folding Rail
16	Blue Backrest 400 x 250mm Padded