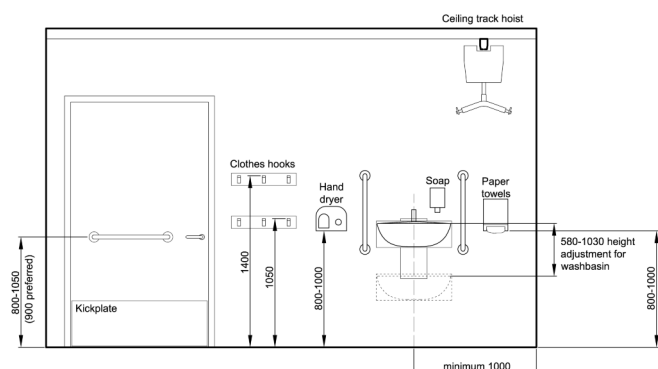
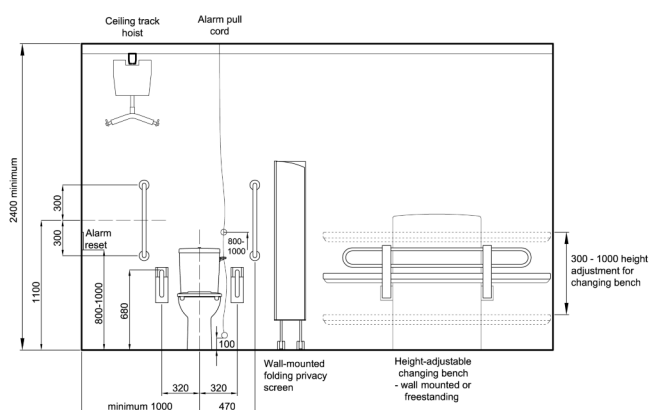




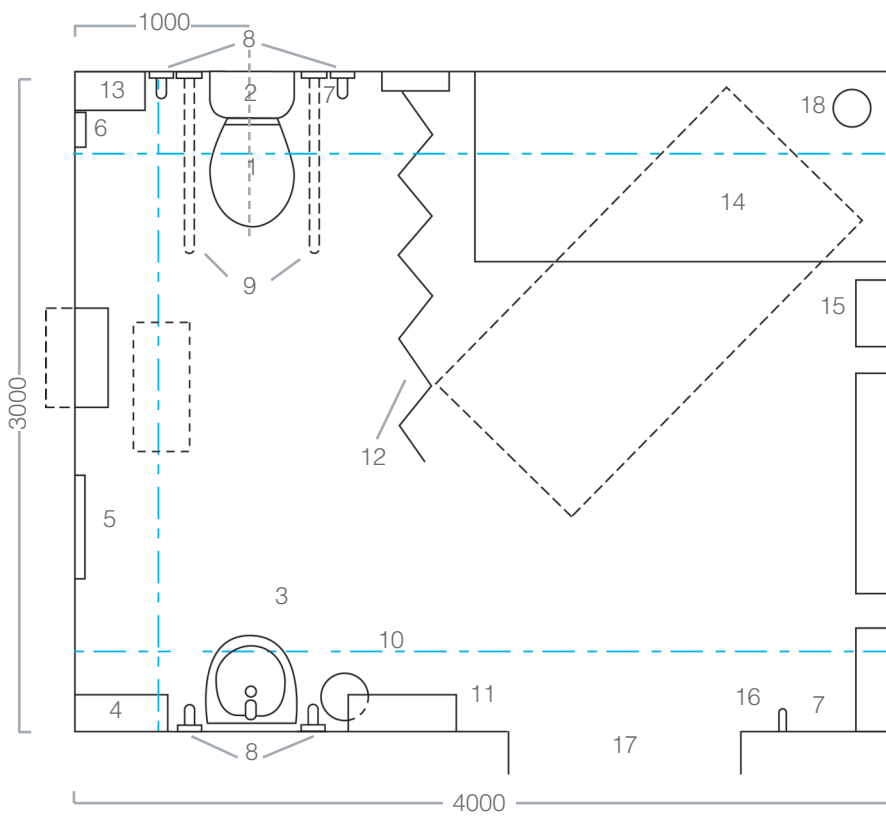
Changing Places MPack

A changing places (CP) facility is a combined toilet, shower and changing room for use by people with complex and multiple disabilities who require the help of two assistants. The space needs to be fitted with a fixed track hoist system. The Changing Places facility should be in addition to, not instead of, the provision of unisex accessible W.C.'s.



Features and Benefits:

- Fully BS8300 compliant (updated February 2009)
- Highest quality materials used throughout
- Complete co-ordination between accessories
- Large power assisted wash hand basin
- Retractable privacy curtain
- Height adjustable shower/changing bench
- Elegant raised height pan
- Luxury padded backrest
- Ergonomic designed toilet seat
- Easy operation dual flush lever 6/4ltr
- Screw down lid on cistern
- Delivered in one box
- Fully compliant audio/visual alarm (Feb 2009)
- TMV3 thermostatic basin mixer incorporating environmental water saving spray action
- Drop down rails with one sprung toilet roll holder



See our Peninsular MPack, page 260 - 261, for layout dimensions of W.C. suite and grab rails within this Changing Places accessible toilet facility.



Additional Requirements

- Large sanitary disposal bin*
- Wide paper roll dispenser*
- Sanitary towel dispenser*
- *Obtainable from washroom suppliers

- Radar lock set R/H
- Radar lock set L/H
- For full details see page 272 - 273.

Changing Places

P6830068

1	Pentland Close Coupled Raised Height Pan
1	Blue Seat (Advanced) no Cover
2	Pentland Reversible Cistern with Screw Down Lid
2	6 litre Cistern Fitting Pack, Spatulate lever - Dual Flush
3	Electrically operated Basin assembly
3	Pentland wash Hand Basin 600 x 450mm
3	Fixing Bolts for Basin
3	Flexible Feed and Waste Kit 700mm
3	Presflow Basin Waste
3	Chrome Plated bottle Trap
3	Sequential Thermostatic Mixer Tap
4	Paper Towel Dispenser
5	Full Length Mirror 1000 X 400mm
6	Alarm with Reset Button and Pull Cord
7	Extra Pull Cord and Ring
8	Blue Vertical Grab Rail ABS x 4

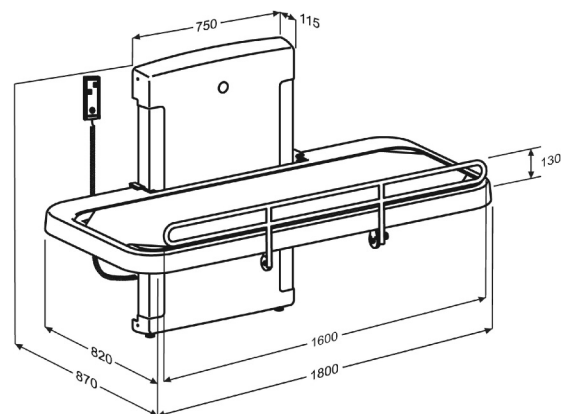
9	Blue Rehab 850mm Folding Rail x 2
9	Toilet Roll Holder with Spring x 1
10	Waste Care Bin
11	Hand Dryer
12	White Curtain Rail 1200 x 1200mm
12	White Curtains 1500 x 1200mm x 2
12	White Curtain Rings x 20
13	White Colostomy Bag Shelf
14	Height Adjustable Shower/Changing Bench
14	Bed Guard Bench
14	Splash Curtain for Shower Bench
15	Lever Action Thermostatic Mixer Shower and Kit
16	Two Clothes Hooks (Blue)
17	Changing Places W.C. Sign
18	Phleximax 50 Floor Gulley

CareElements - 2000 Series Nursing Bench Adjustable Height

1800 mm powered nursing bench with wired hand control, 700 mm height adjustable.

Including safety rail and water collection tray with integrated outlet. Materials: Coated steel, mesh cover, polystyrene.

The frame is made from powder-laquered stainless steel, the lying surface is a mesh cover. The water collection tray is made from polystyrene.



Product	Code Number
Electric Nursing Bench, 1800mm	P6825315