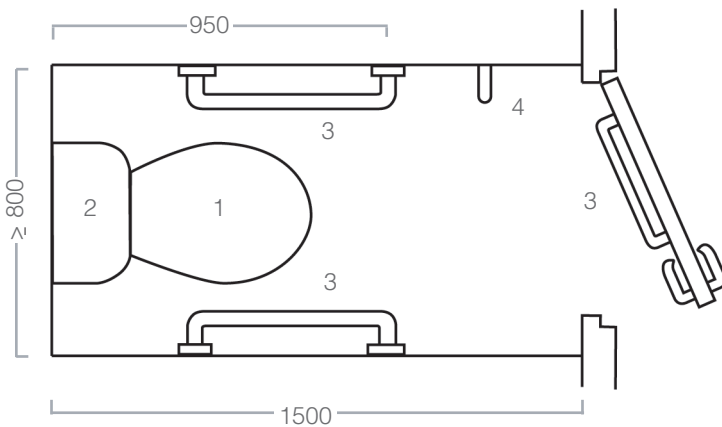


A) Elevation

The minimum clear overall dimensions of a W.C. cubicle accessible by ambulant disabled people, as well as the location of sanitary and other fittings, should be as shown in this set of drawings.

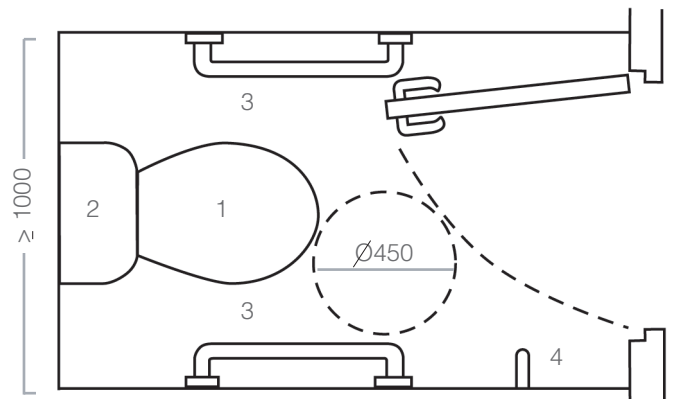
Where the cubicle has an inward opening door, it should be fitted with a double action pivot set and an emergency release mechanism operated from the outside. Inward opening cubicle doors should be used only in existing buildings where there is no alternative.

Note: The overall dimensions shown exclude such items as heat emitters and boxing in of pipe work and adjustments in room size will be needed to accommodate these items.



B) Plan (New Building)

Outward opening door with horizontal pull rail.



C) Plan (Existing Building)

Inward opening door with effective clear width of at least 800mm. Door swing clear of 450mm diameter space on plan between fittings.

Ambulant		P6830058
1	Pentland Close Coupled Raised Height Pan	
1	Blue Seat and Cover (Advanced)	
2	Pentland Reversible Cistern with Screw Down Lid	
2	6 litre Fitting Pack with Spatulate Lever - Dual Flush	
3	Blue Fluted 60 x 35mm Grab Rails x 4	
4	Blue Clothes Hook	

For accessories see page 247.

Useful accessories
 Toilet tissue dispenser S2944001
 White plastic shelf P6820411